



NERO

RANGE

Frelan introduces the Nero range

- A range of stylish door furniture finished in contemporary matt black with a matching range of accessories, pull handles, locks and hinges.
- The Nero range is manufactured using various materials such as stainless steel, zinc and aluminium and is finished in a modern matt black finish, which provides a stunning contrast when fitted on a white or light door colour. Ideal for both domestic and commercial interiors.

NERO



Discover the range

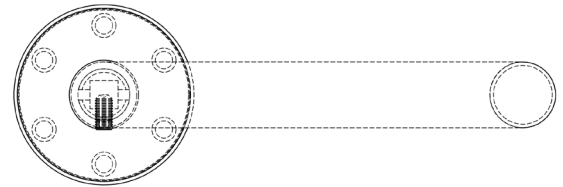
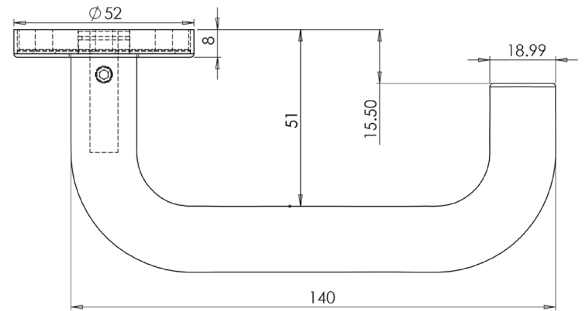
www.frelan.co.uk

Orbit Lever on Rose



JMB13

Material: Stainless steel
Screw on Rose

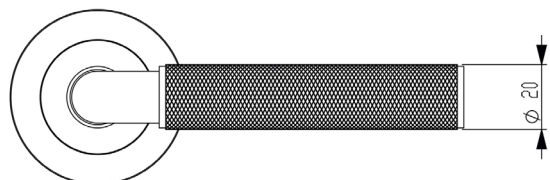
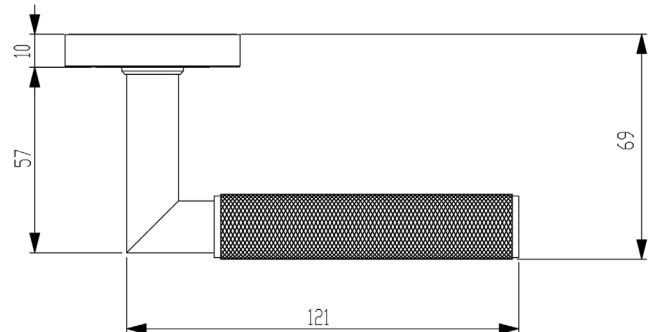


Mitred Knurled Lever on Rose



JMB400

Material: Stainless steel
Screw on Rose

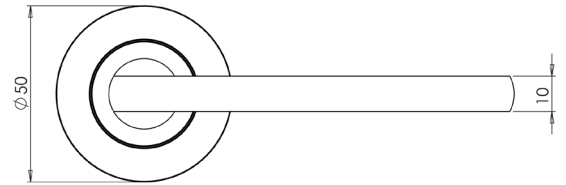
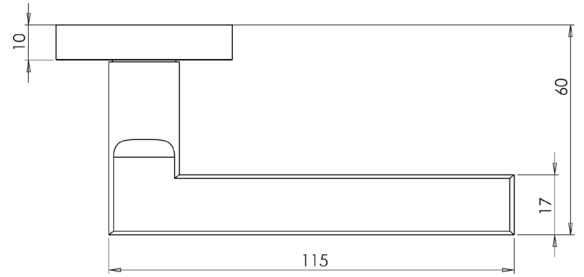


Jet Lever on Rose



JMB600

Material: Aluminium
Screw on Rose

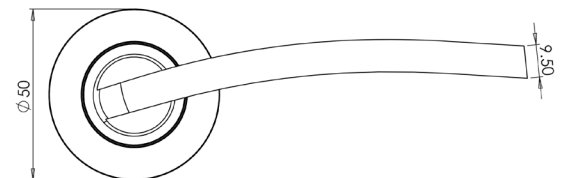
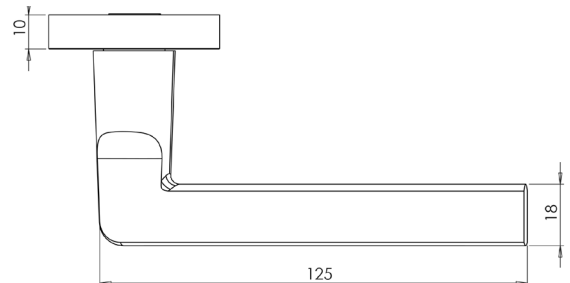


Noir Lever on Rose



JMB700

Material: Aluminium
Screw on Rose

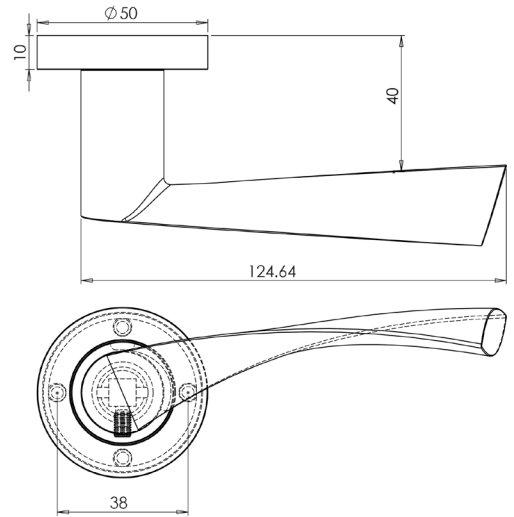


Vecta Lever on Rose



JMB501

Material: Stainless steel
Screw on Rose

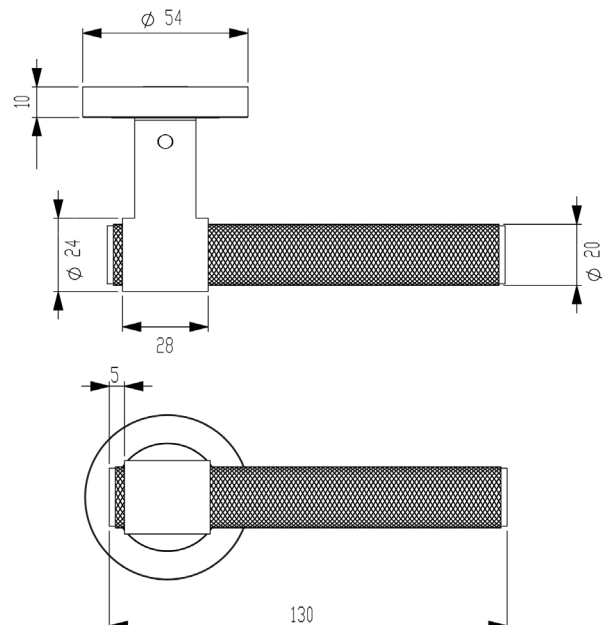


T-Bar Knurled Lever on Round Rose



JMB105

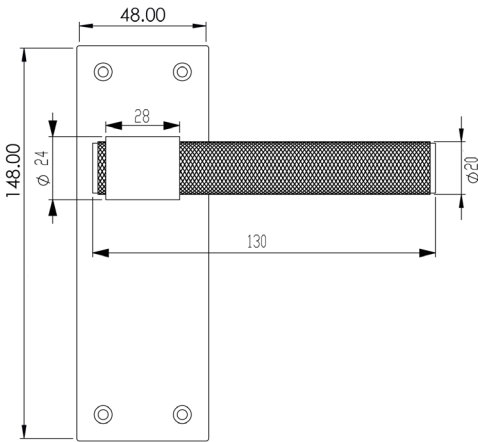
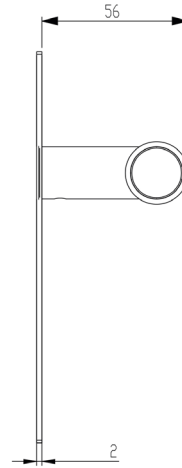
Material: Stainless steel
Screw on Rose



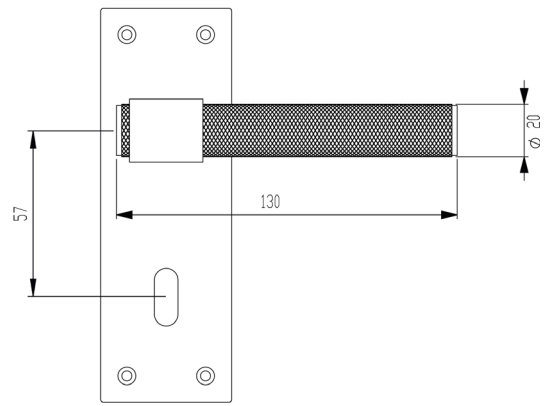
T-Bar Lever on Plate

JMB100

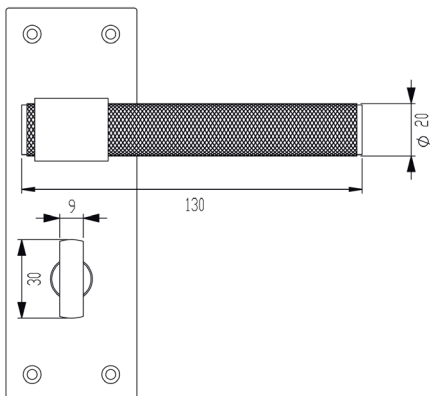
Material: Stainless steel



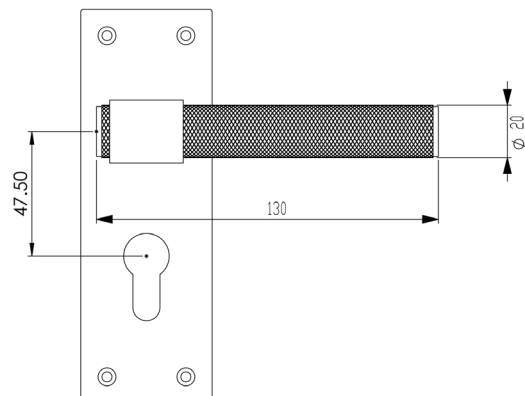
JMB100 - Latchset



JMB101 - Lockset



JMB102 - Bathroom



JMB103 - Euro Profile
Lockset

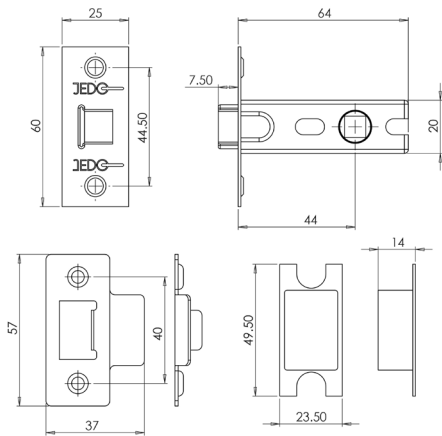
Kontrax Tubular Latch



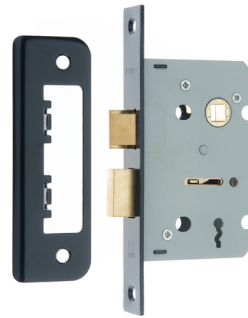
JL149MB

65mm

*Fire tested
when fitted with
Intumescent kit*



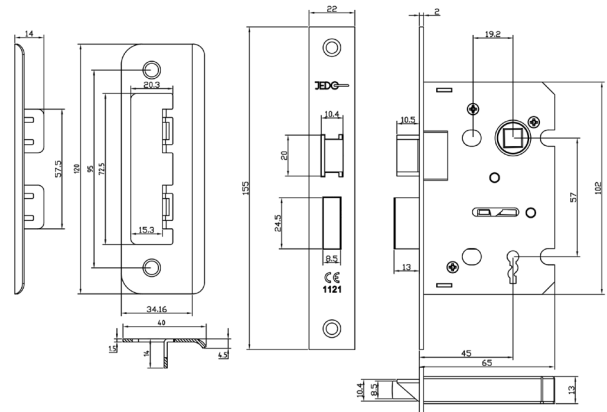
2 Lever Sashlock



JL470BL

65mm

*Fire tested
when fitted with
Intumescent kit*



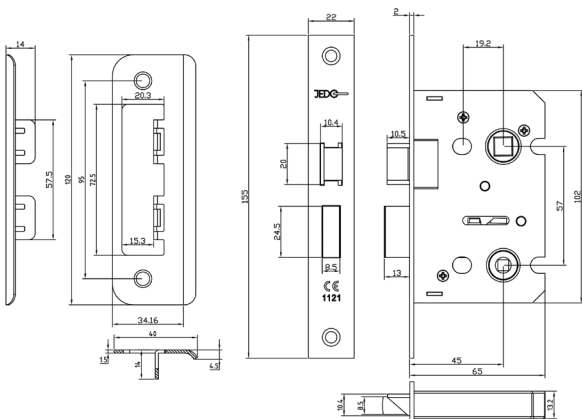
Bathroom Lock



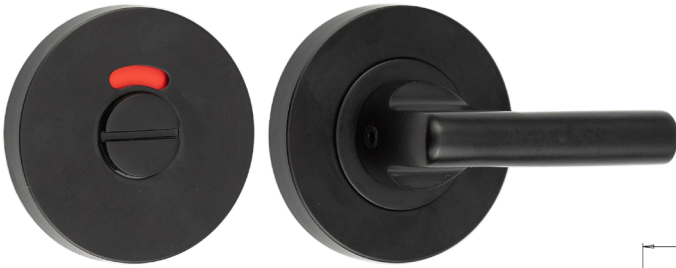
JL450BL

65mm

*Fire tested
when fitted with
Intumescent kit*

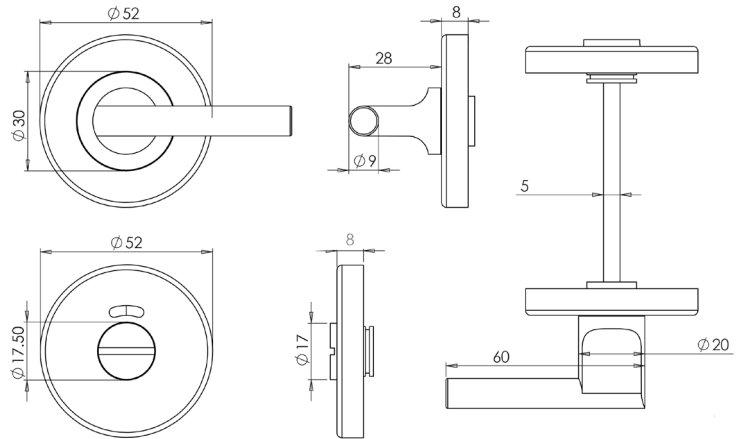


Easy Turn



JMB355

Material: Stainless steel

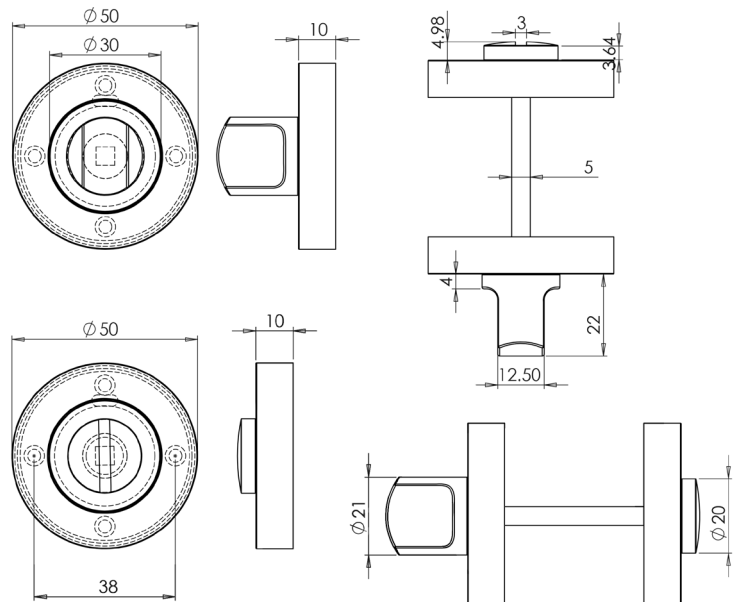


Turn and Release



JMB2666

Material: Zinc

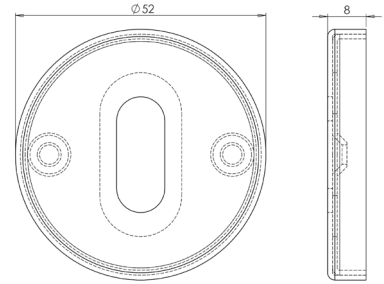


Standard Escutcheon



JMB16

Material: Stainless steel

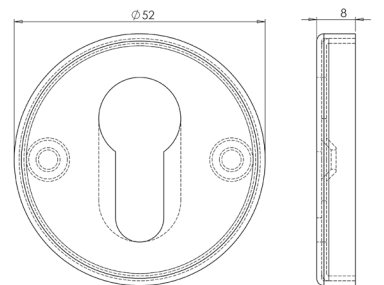


Euro Escutcheon



JMB18

Material: Stainless steel

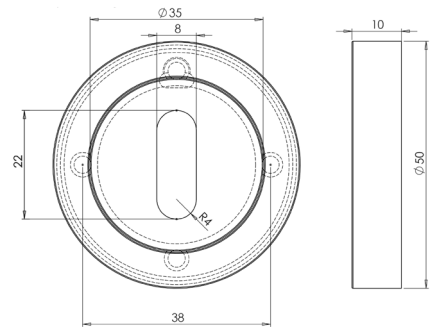


Standard Escutcheon



JMB503

Material: Zinc

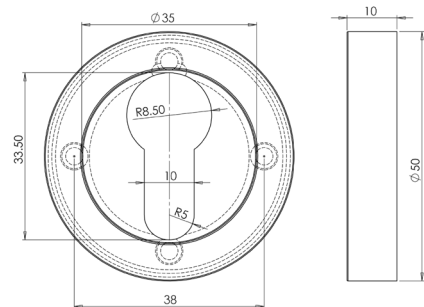


Euro Escutcheon



JMB503E

Material: Zinc

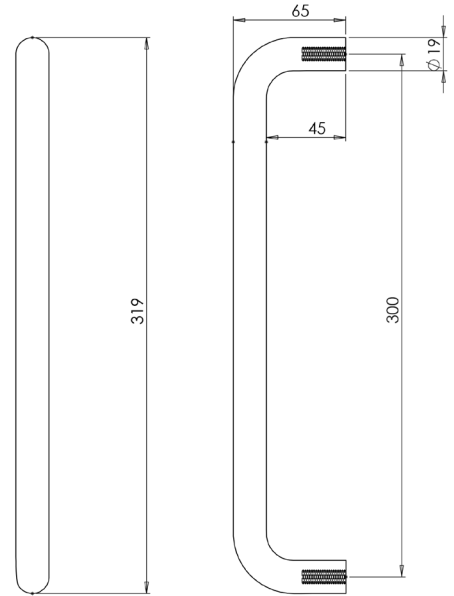


D Shape Pull Handle



JMB119C

Material: Stainless steel
Bolt through fixing
Suitable for door thickness up to 54mm

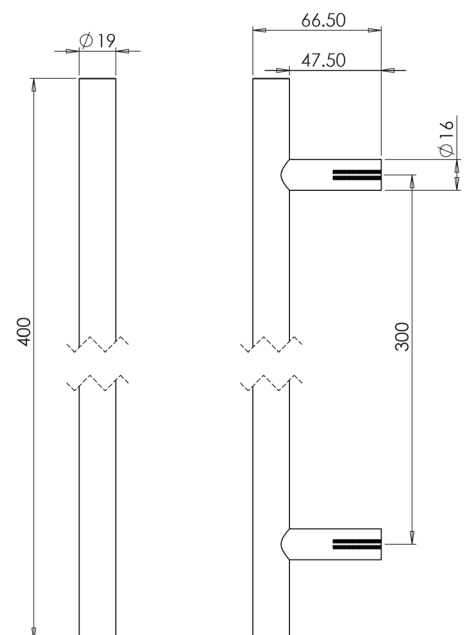


Guardman Pull Handle

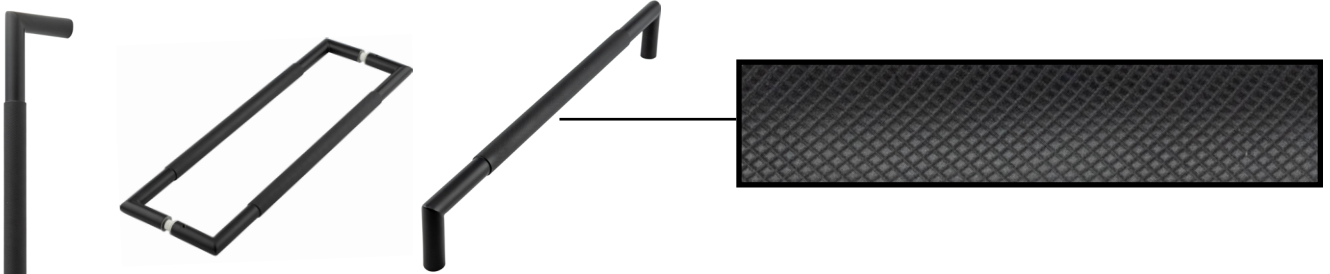


JMB219B

Material: Stainless steel
Bolt through fixing
Suitable for door thickness up to 54mm

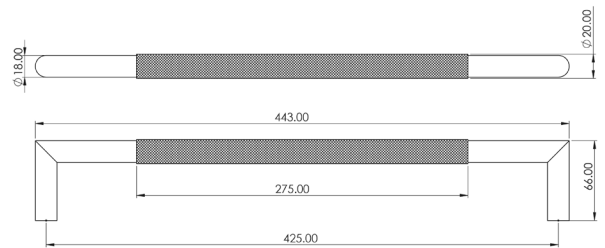


Mitred Knurled Pull Handle



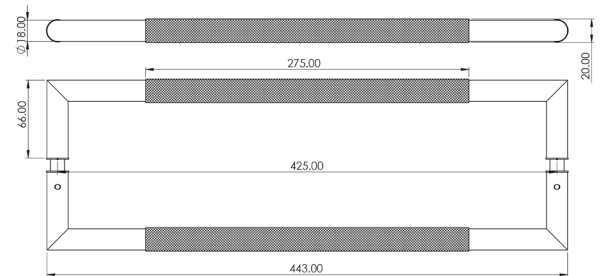
JMB8 BOLT THROUGH

Bolt through fixing
Suitable for door thickness up to 54mm
Includes fixings for glass and wooden doors



JMB9 BACK TO BACK

Back to back fixing
Suitable for door thickness up to 54mm
Includes fixings for glass and wooden doors



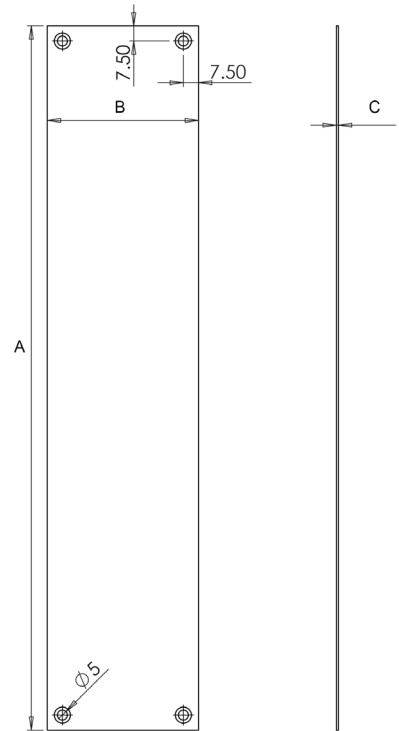
Finger Plate

Radiused corners



	A	B	C
JMB81	(350 X 75 X 1MM)		
JMB82	(475 X 75 X 1MM)		

Material: Stainless steel

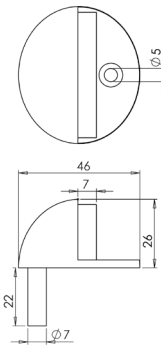


Oval Floor Mounted Door Stop



JMB86

Material: Zinc

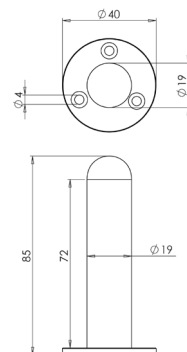


Wall Mounted Door Stop



JMB9551B

Material: Zinc
Projection 85mm



Flush Bolt

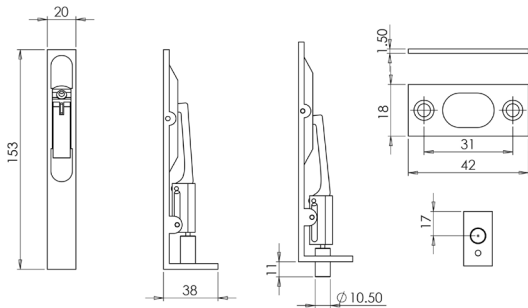


JMB50
150x20mm

Material: Stainless steel
Tested to:
BS EN 12051-1999
EN1634-1



*Fire tested when fitted
with Intumescent kit*



Flush Bolt

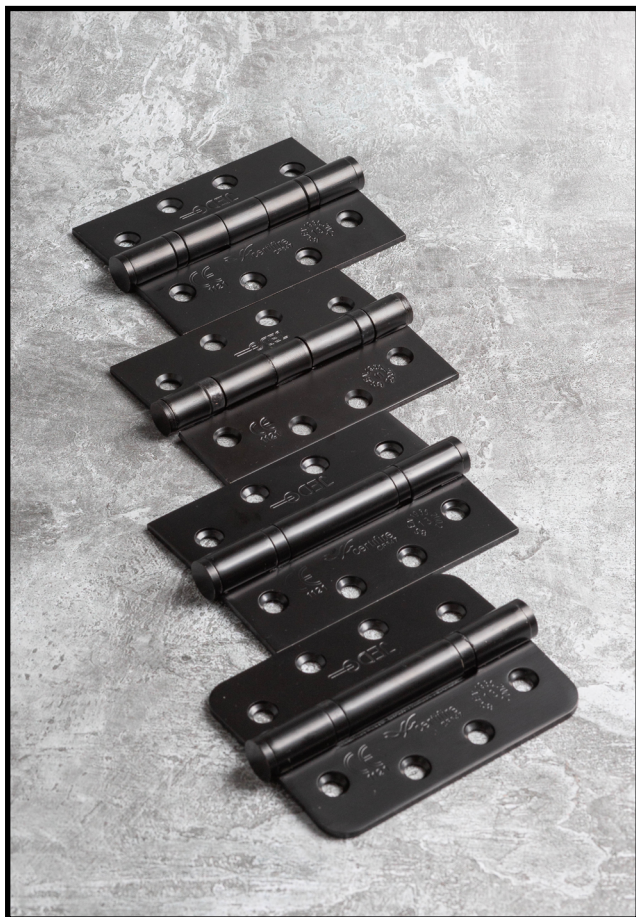
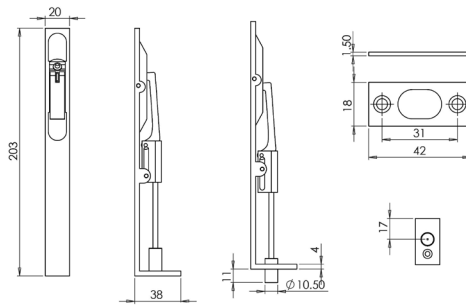


JMB51
200x20mm

Material: Stainless steel
Tested to:
BS EN 12051-1999
EN1634-1

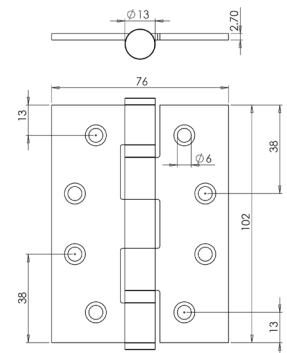


*Fire tested when fitted
with Intumescent kit*



Steel Ball Bearing Hinge

102x76x2.7mm c/w screws



J8500BL

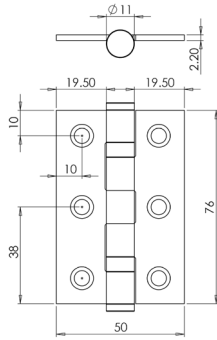


Tested to 200,000 cycles
Grade 4 Corrosion
Suitable for 80kg doors when using 3
hinges

*Fire tested when fitted with Intumescent hinge
pads*

Steel Ball Bearing Hinge

76x50x2.2mm c/w screws



J8502BL

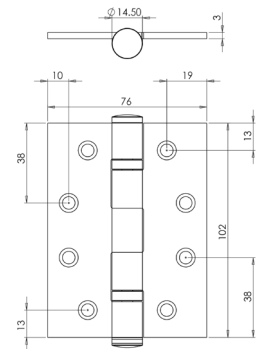


Tested to 200,000 cycles
Grade 4 Corrosion
Suitable for 40kg doors when using 3 hinges

Fire tested when fitted with Intumescent hinge pads

Stainless Steel Ball Bearing Hinge

102x76x3mm c/w screws



J9500MB

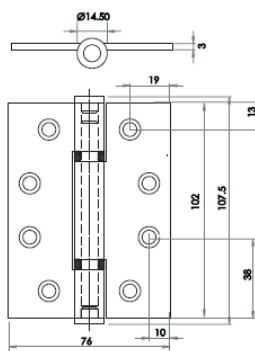


Tested to 200,000 cycles
Grade 4 Corrosion
Suitable for 120kg doors when using 3 hinges

Fire tested when fitted with Intumescent hinge pads

Stainless Steel Polymer Bearing Hinge

102x76x3mm 3 knuckle c/w screws



J9603BL

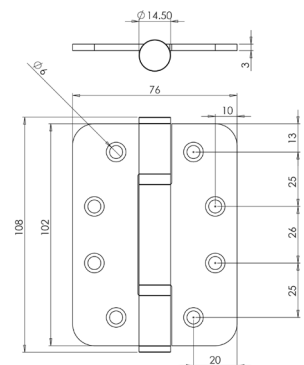


Tested to 200,000 cycles
Grade 4 Corrosion
Suitable for 120kg doors when using 3 hinges

Fire tested when fitted with Intumescent hinge pads

Stainless Steel Radiused Polymer Bearing Hinge

102x76x3mm 3 knuckle c/w screws



J9633BL



Tested to 200,000 cycles
Grade 4 Corrosion
Suitable for 120kg doors when using 3 hinges

Fire tested when fitted with Intumescent hinge pads



Discover the range

www.frelan.co.uk



www.frelan.co.uk

 [frelanhardware](https://www.instagram.com/frelanhardware)

Tel: 020 8648 1500

Fax: 020 8648 1626

FRELAN
HARDWARE

Email: sales@frelan.co.uk